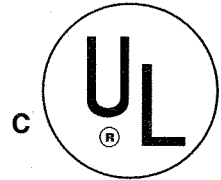
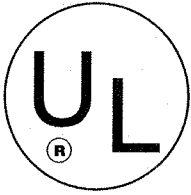


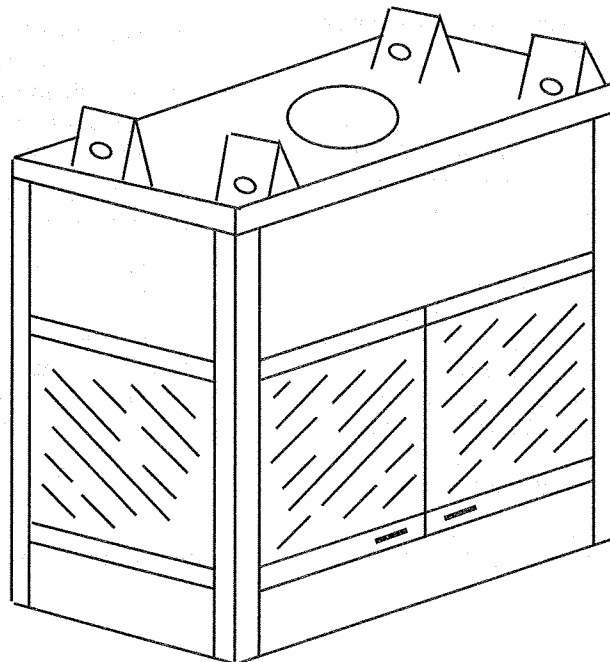
heatilator®

The first name in fireplaces

Heatilator Inc.
1915 W. Saunders Street
Mt. Pleasant, IA 52641
a HON INDUSTRIES company



CH76 FL92 HA112 WOODBURNING FIREPLACES INSTALLATION & OPERATING INSTRUCTIONS FOR RESIDENTIAL USE



Model CH76

PLEASE RETAIN THIS MANUAL FOR FUTURE REFERENCE.

Table of Contents

Listings and Code Approvals3
 Description of the Fireplace System3
 Fireplace System Components4
 Pre-Installation Preparation7
 Fireplace Locations and Space Requirements.....7
 Framing The Fireplace8
 Hearth Extensions9
 Sidewalls/Surrounds.....10
 Mantel.....10
 Chimney Requirements10
 Using Offsets and Returns10
 Chimney Height Requirements12
 Step-By-Step Installation of the Fireplace System.....13
 Constructing a Chase18
 Materials For The Chase.....18
 Installing a Terminal Cap on a Chase-Enclosed Chimney.....19
 Operating Instructions21

Safety Precautions

1. Please read these installation instructions completely before beginning installation procedures. Failure to follow them could cause a fireplace malfunction resulting in serious injury and/or property damage.
2. Always check your local building codes prior to installation. The installation must comply with all local, regional, state and national codes and regulations.
3. An adequate supply of replacement combustion air from outside the house must be available to the fire for the fireplace to operate properly. To achieve this, an optional outside air kit is highly recommended.

 In the event the home is unusually tight, the optional combustion air kit may not provide all the air required to support combustion. Heatilator is not responsible for any smoking or related problems that may result from the lack of adequate combustion air. It is the responsibility of the builder/contractor to ensure that adequate combustion air has been provided for the fireplace.
4. The CH76, FL92 and HA112 woodburning fireplaces must be installed with the SL400 Series chimney system.

 The chimney system must always terminate outside the building. Be sure to follow all chimney specifications given in these installation instructions.
5. NEVER leave children unattended when there is a fire burning in the fireplace.
6. This fireplace is built for solid fuel only. NEVER use gasoline, gasoline type lantern fuel, kerosene, charcoal lighter fluid, or similar liquids in this fireplace. Keep any flammable liquids a safe distance from the fireplace.
7. DO NOT use chimney cleaners or flame colorants in your fireplace.
8. The flue damper must be open at all times when the fireplace is in use.
9. While servicing this fireplace, always shut off any electricity or gas to the fireplace. This will prevent possible electrical shock or burns. Also, make sure the unit is completely cooled before servicing.
10. To ensure a safe fireplace system and to prevent the buildup of soot and creosote, inspect and clean the fireplace and chimney prior to use and periodically during the burning season.



LISTINGS AND CODE APPROVALS

The CH76, FL92 and HA112 fireplace systems have been tested and listed in accordance with UL127 and ULC-S610 Standards, and has been listed by Underwriters Laboratories Inc. for installation and operation in the United States and Canada as described in these Installation & Operating Instructions.

The models CH76, FL92 and HA112 fireplaces have been tested and listed for use with the optional components given on page 4. These optional components may be purchased separately and installed at a later date. However, installation of an outside air kit

will require significant reconstruction, and should be installed at the time of the initial fireplace installation.

Check with your local building code agency prior to installing this fireplace to ensure compliance with local codes, including the need for permits and follow-up inspections. If any assistance is required during installation, please contact your local dealer or the Heatilator Customer Relations Department, 1915 W. Saunders Street, Mt. Pleasant, Iowa 52641.

HEATILATOR® is a registered trademark of Heatilator Inc., a HON INDUSTRIES company.

WARNING

THIS HEATILATOR FIREPLACE AND ITS COMPONENTS ARE DESIGNED TO BE INSTALLED AND OPERATED AS A SYSTEM. ANY ALTERATION TO OR SUBSTITUTION FOR ITEMS IN THIS SYSTEM, UNLESS ALLOWED BY THESE INSTALLATION INSTRUCTIONS, WILL VOID THE UNDERWRITERS LABORATORIES LISTING AND MAY VOID THE PRODUCT WARRANTY. IT MAY ALSO CREATE A HAZARDOUS INSTALLATION. READ THROUGH THESE INSTRUCTIONS THOROUGHLY BEFORE STARTING YOUR INSTALLATION AND FOLLOW THEM CAREFULLY THROUGHOUT YOUR PROJECT.

DESCRIPTION OF THE FIREPLACE SYSTEM

The HEATILATOR® fireplace system consists of the following:

- | | |
|----------------------------------|---------------------|
| 1. Fireplace | 4. Chimney System |
| 2. Hearth Extension | 5. Roof Termination |
| 3. Glass Doors (DM and C Series) | |

Optional components include:

1. Brass Trim Kit
2. Outside Combustion Air System
3. Chimney Air Kit (required in Canada)

NOTE: Illustrations throughout these instructions reflect "typical installations" and are for design purposes only. Actual installation may vary slightly due to individual design preferences. However, minimum and maximum clearances must be maintained at all times.

The illustrations and diagrams used throughout these installation instructions are not drawn to scale.

Tools and Building Supplies Normally Required

Tools

Saw
Pliers
Hammer
Phillips screwdriver
Tape measure
Plumb line
Leveler
Electrical drill and bits
Square

Building Supplies

Hearth extension material
Wall-finishing materials
Framing material
Fireplace surround
Caulking material

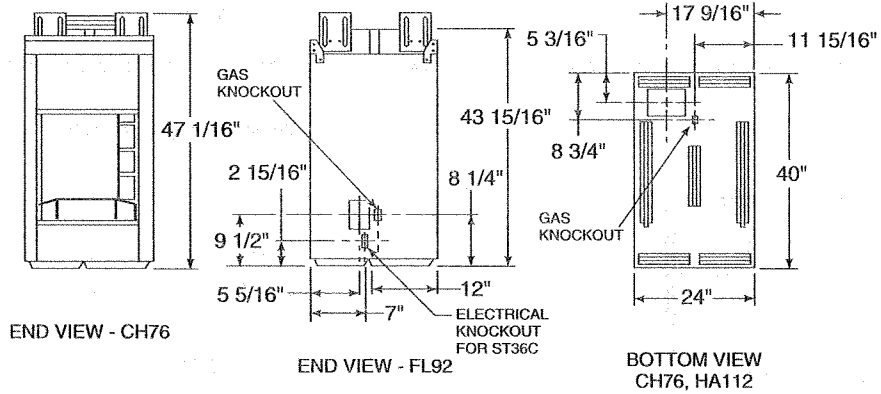
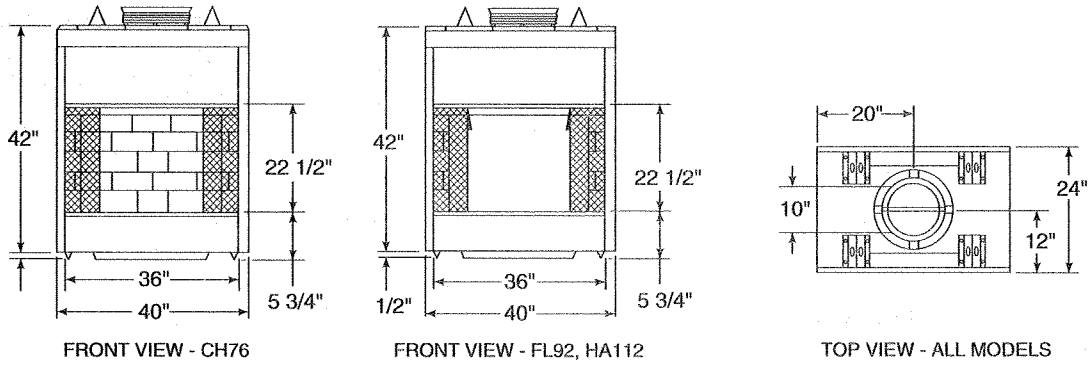


The table below, together with the following pictures, show only those components which may be safely used with this fireplace.

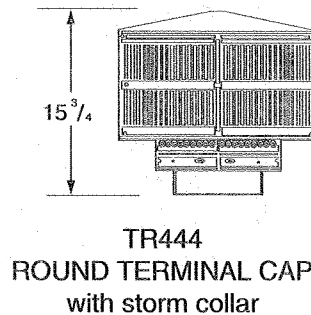
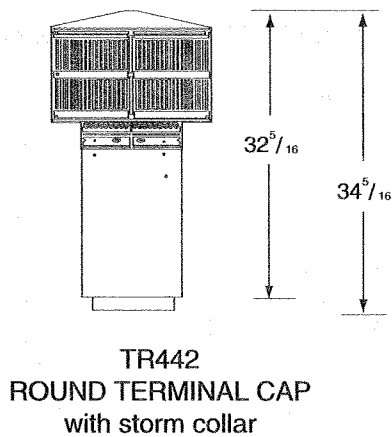
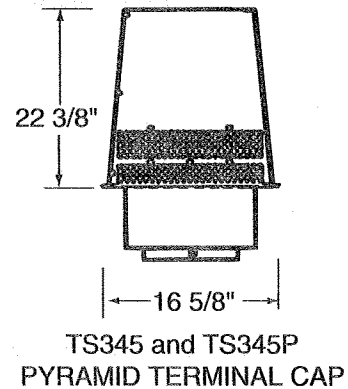
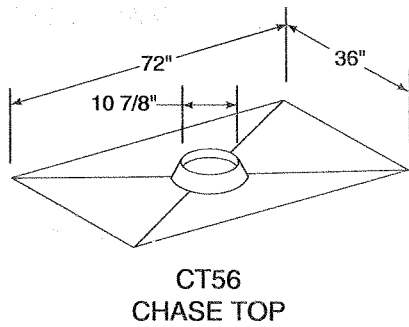
Catalog Number	Description
CH76	Bay Fireplace
FL92	Peninsula Fireplace
HA112	Island Fireplace
HX3	Hearth Extension
DM1136	Original Bifold Glass Doors - Black Finish
DM1136A	Original Bifold Glass Doors - Brushed Brass Finish
DM1136B	Original Bifold Glass Doors - Polished Brass Finish
DM1000	Original Bifold Glass Doors - Black Finish
DM1000A	Original Bifold Glass Doors - Brushed Brass Finish
DM1000B	Original Bifold Glass Doors - Polished Brass Finish
C1136A	Classic Bifold Glass Doors - Brushed Brass Finish
C1136B	Classic Bifold Glass Doors - Polished Brass Finish
C1136C	Classic Bifold Glass Doors - Chrome Finish
C2136A	Classic Cabinet Glass Doors - Brushed Brass Finish
C2136B	Classic Cabinet Glass Doors - Polished Finish
C2136C	Classic Cabinet Glass Doors - Chrome Finish
C1000A	Classic Fixed End Panel - Brushed Brass Finish
C1000B	Classic Fixed End Panel - Polished Brass Finish
C1000C	Classic Fixed End Panel - Chrome Finish
P1136B	Premium Series Bifold Glass Doors - Polished Brass Finish
TK53B1	Polished Brass Front Trim Kit for FL92 & HA112
TK54B1	Polished Brass End Trim Kit for FL92 & HA112
TK55B1	Original Style Polished Brass Trim Kit for CH76
CAK5	Chimney Air Kit
AK17	Outside Air Kit for CH76 & HA112 (Included)
AK18	Outside Air Kit for FL92 (Included)
ID4	Insulated Duct/Outside Air
UD4	Uninsulated Duct/Outside Air
SL406	Chimney Section - 6 inch long
SL412	Chimney Section - 12 inch long
SL418	Chimney Section - 18 inch long
SL436	Chimney Section - 36 inch long
SL448	Chimney Section - 48 inch long
SL4	Chimney Stabilizer
SL430	Chimney Offset/Return - 30°
FS538	Firestop - Straight
FS540	Firestop - 30°
JB577	Chimney Joint Band
CB576	Chimney Bracket
RF570	Roof Flashing - Flat to 6/12 Pitch
RF571	Roof Flashing - 6/12 to 12/12 Pitch
TR442	Telescoping Chimney Terminal Cap - Round
TR444	Chimney Terminal Cap - Round
ST475	Chimney Terminal Cap - Square
ST476	Telescoping Chimney Terminal Cap - Square
CT56	Chase Top
TS444	Square Termination System
SK44	Square Termination Decorative Skirt



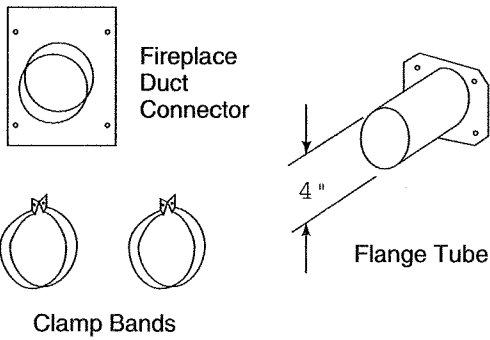
CH76, FL92, HA112 WOODBURNING FIREPLACES



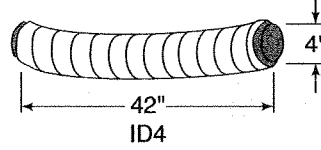
CHIMNEY TERMINAL CAPS & VENT SECTIONS



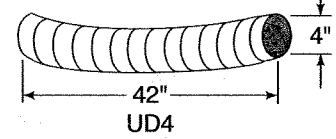
AIR KIT AK17



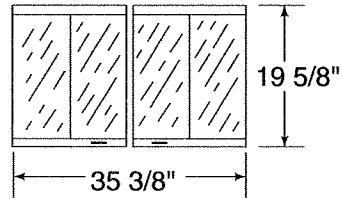
INSULATED DUCT



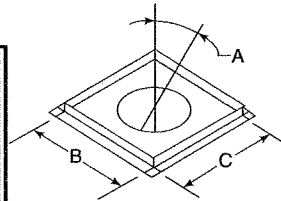
UNINSULATED DUCT



GLASS DOORS

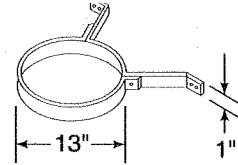


FIRESTOP SPACERS



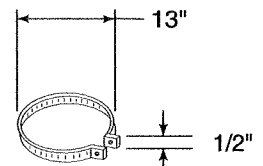
CAT. NO.	A	B	C
FS538	0°	17"	17"
FS540	30°	26"	17"

CHIMNEY BRACKET



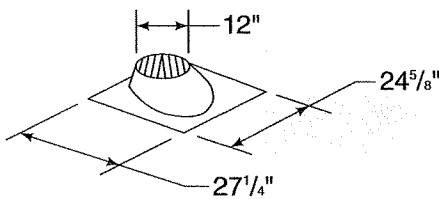
CB576

JOINT BAND

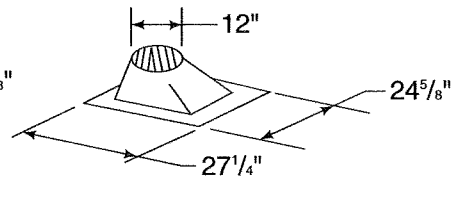


JB577

ROOF FLASHINGS

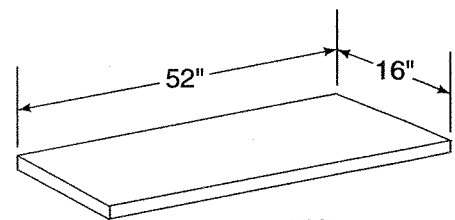


Flat to 6/12 Pitch
RF570

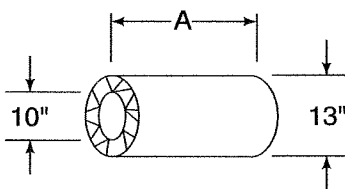


6/12 to 12/12 Pitch
RF571

HEARTH EXTENSION

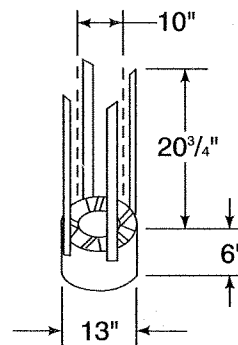


CHIMNEY SECTIONS

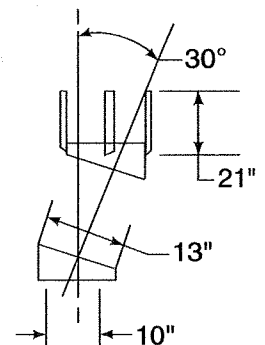


CAT. NO.	A
SL406	6"
SL412	12"
SL418	18"
SL436	36"
SL448	48"

CHIMNEY STABILIZER



OFFSET/RETURN



PRE-INSTALLATION PREPARATION

FIREPLACE LOCATIONS AND SPACE REQUIREMENTS

All fireplaces operate best when they are terminated on the upper portion of the structure's roof. For optimum performance, it is recommended that the terminal cap be located on the upper 1/3 of the roof measured from the peak of the roof.

Figure 1 shows the minimum distance to combustible surfaces for side walls and for walls facing the open front of the fireplace, as well as minimum Hearth Extension dimensions.

WARNING

DO NOT DRAW OUTSIDE AIR FROM GARAGE SPACES. EXHAUST PRODUCTS OF GASOLINE ENGINES ARE HAZARDOUS.

DO NOT INSTALL OUTSIDE AIR DUCTS SUCH THAT THE AIR MAY BE DRAWN FROM ATTIC SPACES, BASEMENTS OR ABOVE THE ROOFING WHERE OTHER HEATING APPLIANCES OR FANS AND CHIMNEYS EXHAUST OR UTILIZE AIR. THESE PRECAUTIONS WILL REDUCE THE POSSIBILITY FOR SMOKING OR FLOW REVERSAL.

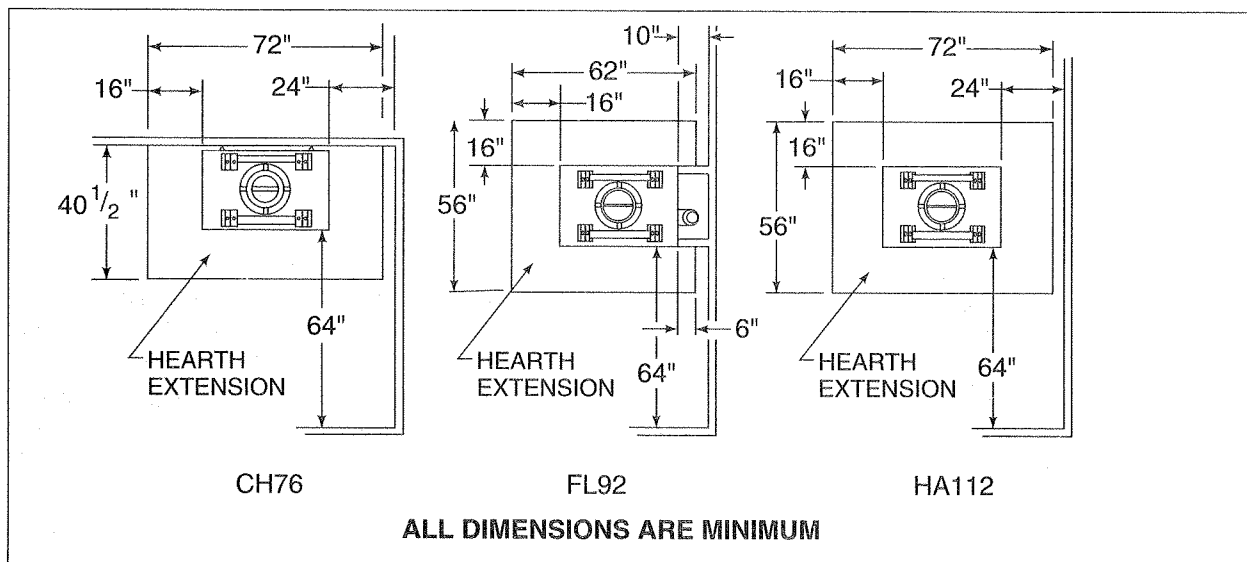


Figure 1
Fireplace Locations

FRAMING THE FIREPLACE

Figure 2 shows a typical framing (using 2 x 4 lumber) of the fireplace, assuming combustible materials are used. All required clearances to combustibles around the fireplace must be adhered to. Any enclosure across the top of the fireplace must be above the level of the top standoffs. Chimney Sections at any level require a minimum air space of two inches to the enclosure, including any framing, for the total chimney height.

WARNING

TO PREVENT CONTACT WITH SAGGING OR LOOSE INSULATION, THE FIREPLACE MUST NOT BE INSTALLED AGAINST VAPOR BARRIERS OR EXPOSED INSULATION. LOCALIZED OVERHEATING COULD OCCUR AND A FIRE COULD RESULT.



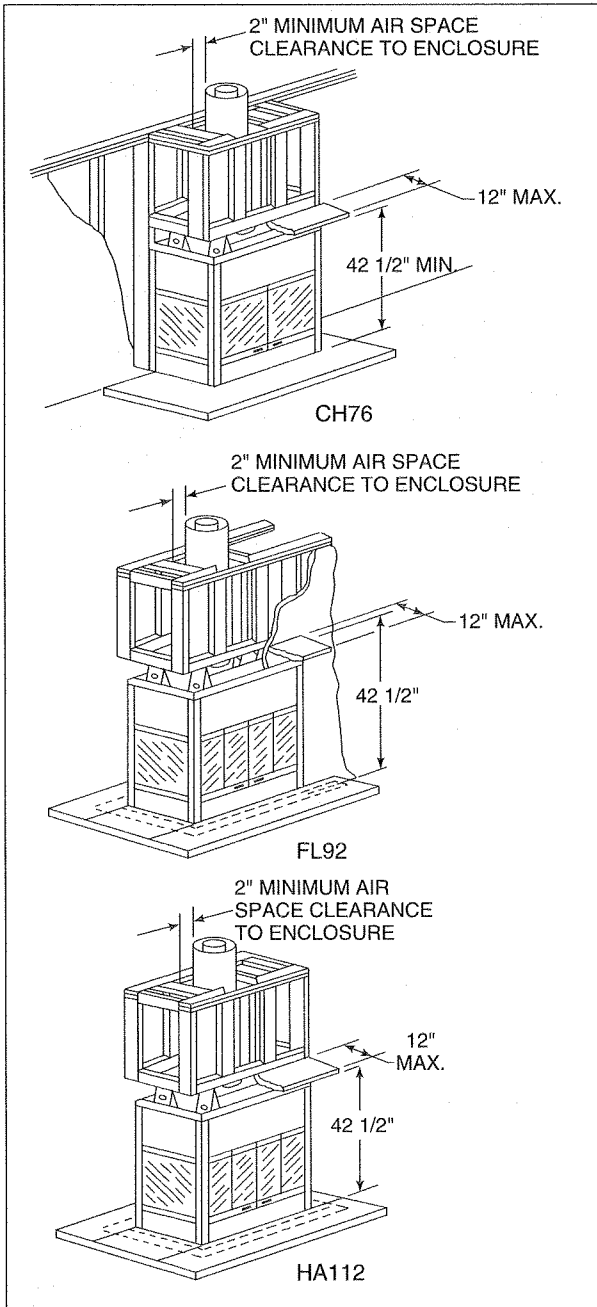


Figure 2
Framing the Fireplace

After completing the framing and after applying the facing material over the framing, see Figure 3. A non-combustible sealant, one-half inch wide maximum, must be used to close off any gaps at the top and sides between the fireplace and facing, to prevent cold air leaks. A mantel of combustible material may be installed no less than 42 1/2 inches above the platform or floor upon

which the fireplace is located. The mantel may extend no more than 12 inches from the wall. Non-combustible materials may be used to cover the black fireplace front, but must not restrict the air flow to or from the front of the unit in any manner. The following is a description of materials specified in these instructions.

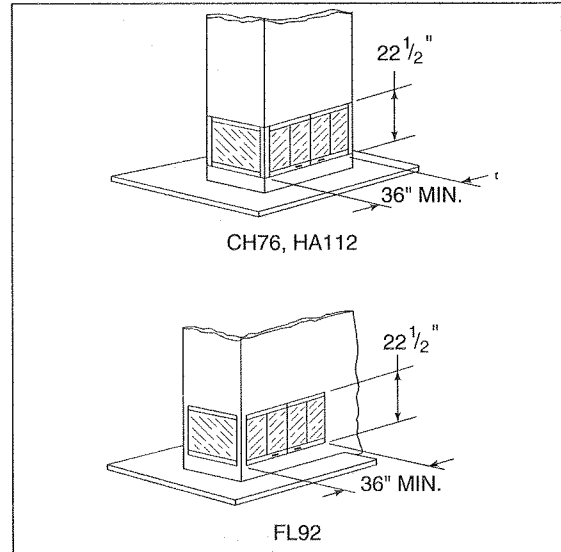


Figure 3
Non-combustible Facing

Combustible Material. Material made of or surfaced with wood, compressed paper, plant fibers, plastics, or any material capable of igniting and burning, whether flame proofed or not, plastered or unplastered.

Non-combustible Material. Material which will not ignite and burn. Such materials are those consisting entirely of steel, iron, brick, tile, concrete, slate, glass or plasters, or combination thereof.

Non-combustible Sealant Material. Sealants that will not ignite and burn; General Electric RTV103 Black), or equivalent. Rutland, Inc. Fireplace Mortar #63, or equivalent.

Non-combustible materials may be used to cover the black fireplace front, but must not restrict the air flow to or from the front of the unit in any manner.

WARNING

DO NOT APPLY FINISHING MATERIALS OVER THE BOTTOM AIR INLET SLOTS NEAR THE GLASS DOOR OPENING ON THE FACE OF THESE FIREPLACES. THIS WILL BLOCK THE FLOW OF COOLING AIR AND MAY CAUSE DANGEROUSLY HIGH TEMPERATURES ON COMBUSTIBLE SURFACES OR ON THE FIREPLACE ITSELF.



HEARTH EXTENSIONS

A hearth extension must be installed with all woodburning fireplaces. It is to protect the combustible floor in front of the fireplace from both radiant heat and sparks. Figure 1 provides specific dimensions for the fireplace model you have selected.

The construction of and materials used for a factory-built hearth extension are shown in Figure 4. A hearth extension of this construction may be covered with any non-combustible decorative material and may have a maximum thickness of 5 1/4". Seal gaps between the hearth extension and the front of the fireplace with a non-combustible sealant.

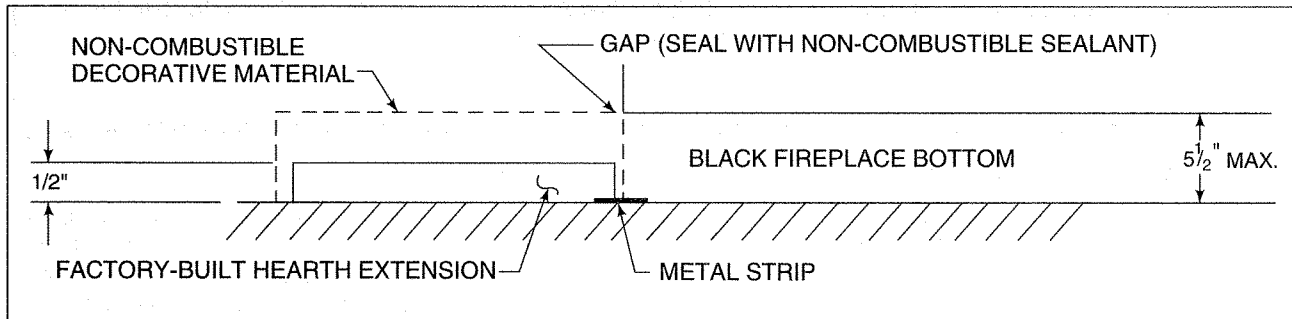


Figure 4
Factory-Built Hearth Extension

Field constructed Hearth Extensions should be constructed in accordance with the minimum dimensions provided in Figure 5. In all cases of field construction, a minimum dimension of 16" to the front and extending 8" on either side of the fireplace opening must be used.

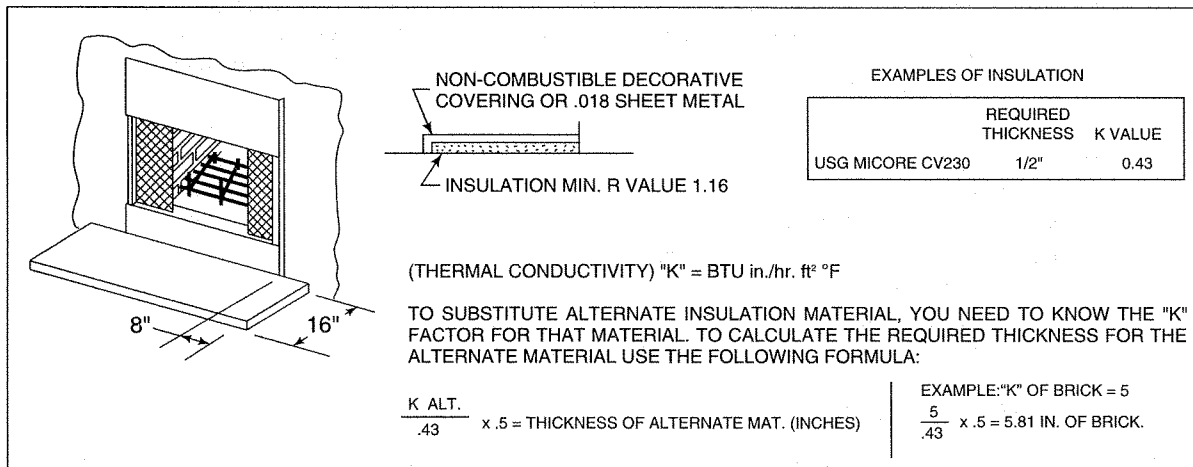


Figure 5
Hearth Extension

The construction illustrated in Figure 4 may require that the fireplace or Heart Extension be raised on a platform. A metal strip must be used between the fireplace and the field constructed Hearth Extension. Depending on the construction, a special () shape may be needed. Each horizontal leg must be 2" wide and the length must be at least equal to the length of the Metal Strip provided with each fireplace. The fireplace must rest on a continuous, level surface.

NOTE
DO NOT COVER ANY AIR INLET SLOTS WITH A RAISED HEARTH EXTENSION.



WARNING

HEARTH EXTENSIONS ARE TO BE INSTALLED ONLY AS ILLUSTRATED TO PREVENT HIGH TEMPERATURES FROM OCCURRING ON CONCEALED COMBUSTIBLE MATERIALS. HEARTH SEALING STRIPS PREVENT BURNING OR HOT PARTICLES FROM INADVERTENTLY FALLING DIRECTLY ON COMBUSTIBLE SURFACES IN THE EVENT THE BUILDING SHOULD SETTLE AND DISTURB THE ORIGINAL CONSTRUCTION.

SIDEWALLS/SURROUNDS

Adjacent combustible side walls must be located a minimum of 12" from the fireplace opening.

MANTEL

A combustible mantel may be positioned no lower than 42 1/2" above the platform supporting the firebox assembly. Combustible materials must not come in contact with or cover the black metal surfaces of the firebox assembly. Failure to properly position combustion finishing materials can result in a structure fire.

CHIMNEY REQUIREMENTS

When planning your fireplace location, the chimney construction and necessary clearances must be considered. The fireplace system and chimney components have been tested to provide the following flexibility in construction. The following figures are the minimum distances from the base of the unit.

Minimum overall straight height	14 ft.
Minimum height with Offset/Return	16 ft. 2 in.
Maximum height	90 ft.
Maximum chimney length between an Offset/Return	8 ft.
Maximum distance between Chimney Stabilizers	35 ft.
Double Offset/Return minimum height	20 ft.
Maximum unsupported chimney length between Offset/Return	6 ft.
Maximum straight unsupported chimney height above firebox	25 ft.

USING OFFSETS AND RETURNS

To bypass any overhead obstructions, the chimney may be offset using a 30° offset/return (SL430). Perform the following steps to determine the correct chimney component combination for your particular installation.

An offset and return may be attached together or a chimney section(s) may be used between an offset and return. However, the distance between two elbows must never exceed 12 feet in total length.

1. Measure how far the chimney needs to be shifted to enable it to avoid the overhead obstacle. See Figure 6 (page 12), dimension "A".
2. After determining the offset dimension, refer to Table 1 (page 13) and find the "A" dimension closest to **but not less than** the distance of shift needed for your installation.
3. The "B" dimensions that coincide with the "A" dimensions represent the required vertical clearance that is needed to complete the offset and return.



- Read across the chart and find the number of chimney sections required and the model number of those particular chimney parts.
- Whenever the chimney penetrates a floor/ceiling, a firestop spacer must be installed.

Example: Your "A" dimension from Figure 6 is 14½". Using Table 1, the dimension closest to but not less than 14½" is 14¾" using a 30° offset/return. It is then determined from the table that you would need 3¾" (Dimension "B") between the offset and return. The chimney components that best fit your application are two SL412's.

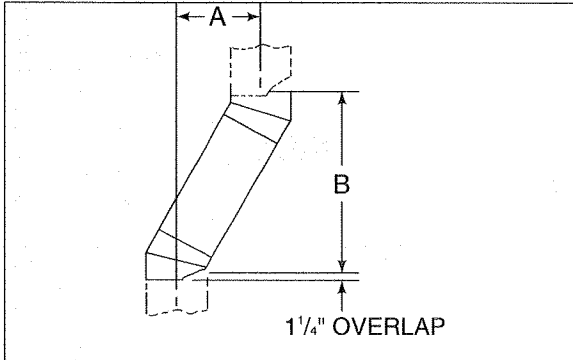


Figure 6
Chimney Offset/Return

WARNING

DO NOT COMBINE OFFSETS TO CREATE AN OFFSET GREATER THAN 30° FROM VERTICAL. THIS MAY CREATE A FIRE HAZARD SINCE THE NATURAL DRAFT MAY BE RESTRICTED.

TABLE 1 **30° Offset Chart*** **(Dimensions in inches)**

A	B	SL406	SL412	SL418	SL436	SL448
37/8	147/16	—	—	—	—	—
6¼	189/16	1	—	—	—	—
9¼	233/4	—	1	—	—	—
12¼	2815/16	—	—	1	—	—
145/8	331/16	—	2	—	—	—
175/8	381/4	—	1	1	—	—
21¼	449/16	—	—	—	1	—
235/8	4811/16	1	—	—	1	—
27¼	553/4	—	—	—	—	1
295/8	591/16	1	—	—	—	1
325/8	641/4	—	1	—	—	1
355/8	697/16	—	—	1	—	1
38	739/16	—	2	—	—	1
41	783/4	—	1	1	—	1
445/8	851/16	—	—	—	1	1
47	891/8	1	—	—	1	1
505/8	957/16	—	—	—	—	2

*Proper assembly of air cooled chimney parts result in an overlap at chimney joints of 1¼". Effective length is built into this chart.



STEP 12 - Assembling chimney sections

Continue to add chimney sections through the roof opening, maintaining at least a 2" air space.

STEP 13 - Installing the roof flashing

If a roof flashing is to be used, install the roof flashing appropriate to the roof pitch and install a TR444 terminal cap (round) following the instructions shipped with this product.

STEP 14 - Installing an outside combustion air kit

The outside air kit is supplied as an optional feature with this fireplace and its use is highly recommended to minimize the effects of negative pressure within the structure. Figure 16 illustrates two of many possible methods that can be used to supply outside air to the fireplace system.

The outside air kit may be installed on either the left hand or right hand side of the fireplace. Remove the cover plate from the side of the firebox assembly where the air kit is to be installed. Install the AK17 outside air kit as detailed in the installation instructions provided with the outside combustion air kit.

If Outside Combustion Air is used, Figure 16 illustrates only two of many possible locations - a basement fireplace with a vertical outside air arrangement; and a horizontal, direct exit from the fireplace side.

OUTSIDE AIR CONTROL HANDLE

The outside air control handle is located in the upper left corner of the opening inside the firebox. See Figure 15. To open, push the handle towards the center of the firebox opening.

NOTE: A minimum height difference must be maintained from the top of the uppermost Chimney Section to the Outside Combustion Air inlet.

STEP 15 - Installing the CAK8

When installing a CAK8 chimney air kit, follow the instructions provided with this accessory. The CAK8 is required in Canada.

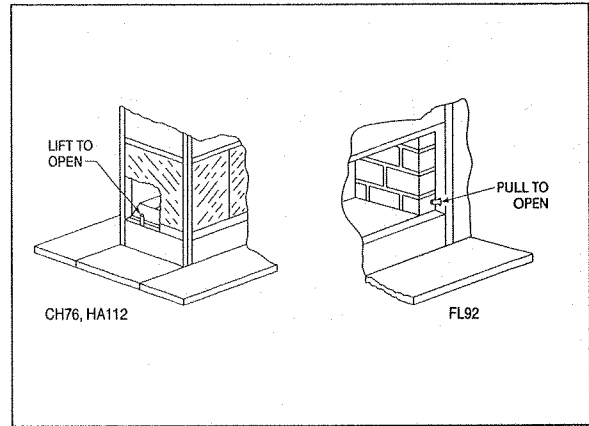


Figure 15
Outside Air Location

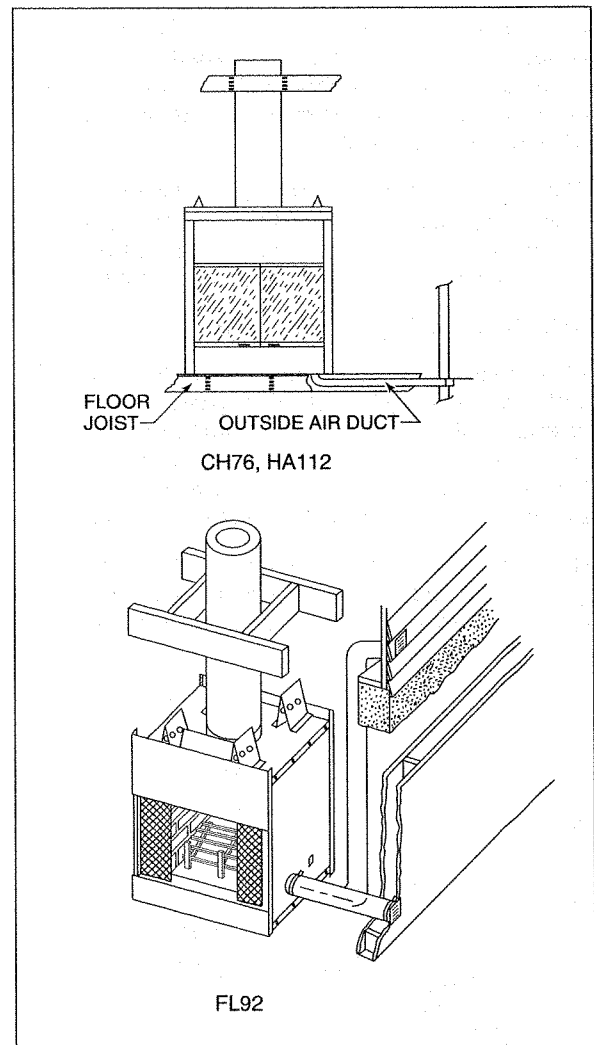


Figure 16
Outside Air Location



STEP 16 - Completion of fireplace enclosure

Complete the fireplace enclosure, allowing space for outside air ducts and gas piping if desired. Electrical wiring should not come in contact with the unit. A minimum clearance of 1/2" must be maintained between the fireplace sides and the enclosure as well as the fireplace back and the enclosure. See Figure 2 for framing details. NOTE: It is recommended to utilize the shortest duct run to optimize the performance of the outside air kit. The outside air kit inlet thimble should be positioned no higher than 4' above the ground level, in a manner that will not allow snow, leaves, etc. to block the inlet.

STEP 17 - Provisions for an optional gas log set

Knockouts are provided on both sides of the fireplace to allow for connection of a certified gas log lighter or a decorative gas appliance with a maximum input of 100,000 BTU/hr. incorporating an automatic gas shut-off device and complying with The Standard for Decorative Gas Appliances for Installation in Vented Fireplaces, ANSI Z21.60. The decorative gas appliance should be installed in accordance with the National Fuel Gas Code, ANSI Z223.1-1980. The side refractories are designed to allow 1/2" iron pipe to pass through. Use a non-combustible sealant to seal any opening between the gas pipe and the refractory on the inside. Repack the insulation removed, to seal around the gas pipe where it exits the side of the fireplace. A minimum 1 1/2" air clearance must be provided to the 1/2" iron pipe. See Figure 17.

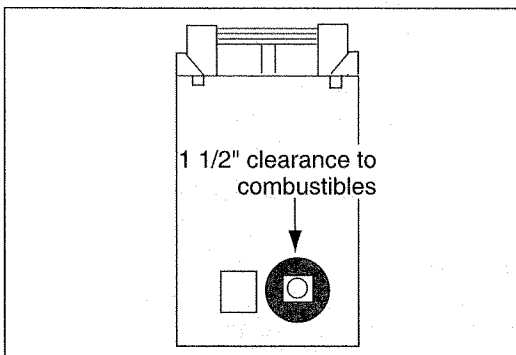


Figure 17
Gas knockout location

WARNING

THIS FIREPLACE WAS NOT TESTED BY THE FIREPLACE MANUFACTURER FOR USE WITH AN UNVENTED GAS LOG HEATER. DO NOT INSTALL AN UNVENTED GAS LOG HEATER IN THIS FIREPLACE UNLESS IT HAS BEEN SPECIFICALLY TESTED AND LISTED BY UNDERWRITERS LABORATORIES INC FOR USE IN THIS SPECIFIC MODEL FIREPLACE. UNLESS THE UNVENTED GAS LOG HEATER IS TESTED AND LISTED FOR USE IN THIS FACTORY-BUILT FIREPLACE, A FIRE HAZARD MAY BE CREATED THAT CAN RESULT IN A STRUCTURE FIRE.

CAUTION

WHEN USING A GAS LOG SET, THE FIREPLACE DAMPER MUST BE SET IN THE FULLY OPEN POSITION. THIS ENSURES A PROPER VENTING OF COMBUSTION PRODUCTS.

STEP 18 - Installing the firescreen

Attach the firescreen to the fireplace side, utilizing the (2) hairpin clips from the enclosed fastener package. Use pliers to insert the clip through the last strand of screen wire and into the hole at the mid-point of the fireplace side.



OPERATING INSTRUCTIONS

AS)

NOTICE

SAVE AND PASS THESE OPERATING INSTRUCTIONS AND THE INSTALLATION INSTRUCTIONS TO SUBSEQUENT OWNERS. THE INFORMATION PROVIDED IS INTENDED TO NOTIFY AND WARN THEM ABOUT MAKING UNSAFE FUTURE MODIFICATIONS SUCH AS THE ADDITION OF SHELVES OR THE USE OF UNAUTHORIZED PARTS AND REPAIRS.

This fireplace is intended to operate as a supplemental heat source for a single room. It is not designed to function as a primary heat source for a structure.

Fireplaces, as well as other woodburning appliances, have been used safely for many years. It has been our experience that most problems are caused by improper installation and operation of the unit. Make certain that installation and operation of the fireplace system is in accordance with these instructions.

It is extremely important that the fire be supervised whenever the fireplace is in use. It is also recommended that an annual inspection be performed on the fireplace system to determine if the flue system needs to be cleaned, or as in the case of any appliance, if minor repairs are required to maintain the system in top operating condition.

INTENDED USAGE. This factory-built fireplace is intended for use with either solid fuel (firewood) or a decorative gas appliance that has been tested and listed to the Standard for Decorative Gas Appliances for Installation in Vented Fireplaces, ANSI Z21.60. **When operating your fireplace, the flue damper must be in the open position.**

This fireplace was not tested and listed for use with an unvented gas log heater. Do not install an unvented gas log heater in this fireplace and operate it with the flue damper in the full closed position unless the unvented gas log has been specifically tested and listed for use in this fireplace by Underwriters Laboratories Inc. Use of an unvented gas log heater in this factory-built fireplace may create a fire hazard that can result in a structure fire.

WARNING

DO NOT OPERATE THIS FIREPLACE WITH THE FLUE DAMPER IN THE CLOSED POSITION. COMBUSTION PRODUCTS MUST VENT UP THE CHIMNEY SYSTEM TO PREVENT CARBON MONOXIDE POISONING, AND TO PREVENT HOT COMBUSTION GASES FROM CONTACTING AND OVERHEATING COMBUSTIBLE SURFACES. FAILURE TO OPERATE THIS FIREPLACE WITH THE DAMPER IN THE OPEN POSITION MAY RESULT IN ASPHYXIA-TION OR A STRUCTURE FIRE.

CAUTION

FIREPLACE OPERATION DOES REQUIRE AIR. DO NOT TAKE AIR FROM OTHER FUEL BURNING APPLIANCES WHICH CAN RESULT IN IMPROPER VENTING (SMOKING) OR AIR DILUTION. ALWAYS PROVIDE ADEQUATE MAKE-UP AIR.

STARTING THE FIRE. Check the flue damper to be certain it is in the full open position. Place crumpled or twisted paper under the fireplace grate. Loosely arrange kindling and small pieces of wood to form a layer above the paper. Light the paper and add small pieces of wood until a hot bed of embers has been established. At this point add progressively larger pieces of wood until you are able to position 4" diameter split logs as shown in Figure 22.

When first lighting your fireplace, it may be necessary to pre-warm the flue to establish a draft. This is done by holding a rolled up piece of burning newspaper under the flue damper for a few moments. This will prevent smoke spillage during start-up.



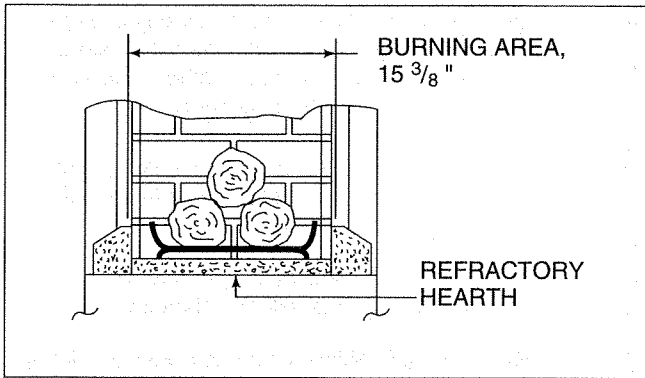


Figure 22
Sectional View of Fireplace

Firewood should be seasoned for at least 6 months before it can be burned as a fireplace fuel. Improperly seasoned (green or wet) wood will cause the fireplace to smoke, will allow creosote deposits to rapidly buildup in the chimney system and may cause roof stains to develop.

Fuel products with abnormal burning characteristics, including synthetic logs that contain wax binders, scrap lumber, wax or plastic coated cardboard and other highly volatile fuels that burn at excessive temperatures, may cause the fireplace to operate in an unsafe manner. Flammable liquid fuels are explosive and must never be used to start or freshen a fire. Heatilator does not warrant the structural or functional performance of the fireplace system when such synthetic fuels or flammable liquids have been used.

NOTE: When heated for the first several times, the fireplace should be heated gradually to prevent moisture in the refractory from causing cracks and to allow binders in the insulation to dissipate. You will notice an industrial odor during the first few fires that are burned. This is considered to be normal.

Use only a solid wood fuel or a listed Heatilator gas log set. Do not use a fireplace insert or products not specifically tested and listed for use in this fireplace.

Use common sense when burning this fireplace. The fire must be built on the fireplace grate, without danger of the burning fuel falling out of the firebox.

CAUTION

NEVER USE GASOLINE, GASOLINE-TYPE LANTERN FUEL, KEROSENE, CHARCOAL LIGHTER FLUID, OR SIMILAR LIQUIDS TO START OR 'FRESHEN UP' A FIRE IN THIS FIREPLACE. KEEP ALL SUCH LIQUIDS WELL AWAY FROM THE FIREPLACE WHILE IT IS IN USE TO AVOID THE RISK OF A HOSTILE FIRE.

DISPOSAL OF ASHES. Ashes should be placed in a metal container with a tight-fitting lid. The closed container of ashes should be placed on a non-combustible floor or on the ground, well away from all combustible materials, pending final disposal. If the ashes are disposed of by burial in soil or otherwise locally dispersed, they should be retained in the closed container until all embers have thoroughly cooled.

GLASS DOORS. With certain fireplace installations, it may be necessary to operate the fireplace with the Glass Doors in the closed position in order to prevent smoke spillage into the structure. When the fireplace is not in use, Glass Doors will reduce loss of room heat through the chimney. When the doors are open, the screen must be closed. Only HEATILATOR glass doors, model numbers DM1000, DM1000B, DM1136, DM1136A, DM1136B, C1136A, C1136B, C1136C, C2136A, C2136B, C2136C, C1000A, C1000B, C1000C or P1136B may be used on this fireplace.

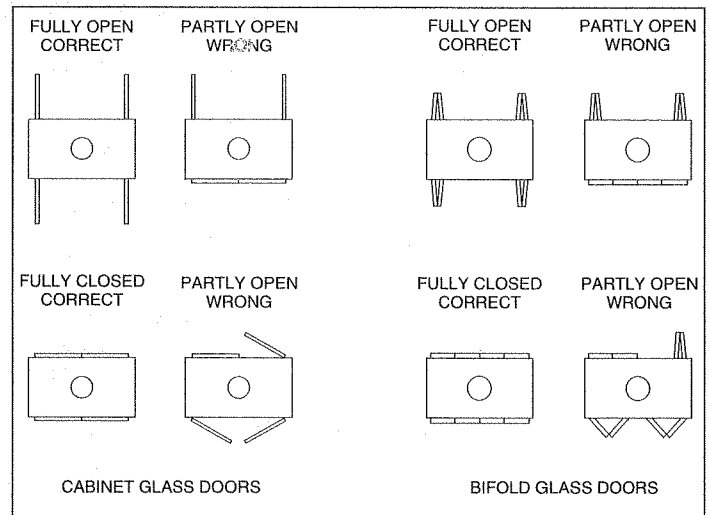


Figure 23
Recommended Operating Positions of Doors



WARNING

FIREPLACES EQUIPPED WITH DOORS SHOULD BE OPERATED ONLY WITH DOORS FULLY OPEN OR FULLY CLOSED. IF DOORS ARE LEFT PARTIALLY OPEN, GAS AND FLAME MAY BE DRAWN OUT OF THE FIREPLACE OPENING, CREATING THE RISK OF BOTH FIRE AND SMOKE.

WARNING

CONTINUED OVER-FIRING CAN PERMANENTLY DAMAGE YOUR FIREPLACE SYSTEM. EXAMPLES OF OVER-FIRING ARE:

- 1. THE "NORMAL LOG FIRE" SHOULD BE CONTAINED IN THE GRATE, WITH THE LENGTH OF LOGS NO GREATER THAN THE BACK WALL OF THE FIREPLACE.**
- 2. THE FOLLOWING MATERIALS MUST NOT BE USED IN THIS FIREPLACE: QUANTITIES OF SCRAP LUMBER, PINE BRANCHES, PROCESSED FIRE LOGS AND FIRE STARTERS, OR CARDBOARD BOXES WHICH EXCEED THE VOLUME OF THE "NORMAL LOG FIRE". THESE MATERIALS PRODUCE MANY SPARKS AND MUST NOT BE USED.**

condense in the relatively cool chimney flue of a slow-burning fire. As a result, creosote residue accumulates on the flue lining. When ignited, this creosote makes an extremely hot fire.

The chimney should be inspected at least twice a year during the heating season to determine if creosote build-up has occurred.

If creosote has accumulated, it should be removed to reduce the risk of a chimney fire.

CHIMNEY CLEANING. If you do detect a build-up of creosote, contact a qualified chimney sweep or clean it yourself. To do this, perform the following steps:

1. Open the damper.
2. Hang a damp sheet across the fireplace opening to stop dirt and soot from entering the room.
3. Remove the Terminal Cap or Housing Top. See Figure 24.
4. Clean with a stiff nylon brush attached to a pole **OR** tie a rope to a burlap bag filled with straw and several small stones or sand. Work up and down the flue until clean.
5. Replace the terminal cap or housing top.

Before starting a fire in your CH76, FL92, or HA112 fireplace, use the following check list:

FLUE DAMPER. The flue damper is operated by moving the handle from left to right, which should place the damper in a fully open position. Verify this by looking up from the inside of the firebox. Always operate this fireplace with the damper fully open. Please note, down drafts, obstructions, damage or poor (wet) fuels can cause smoke spillage.

CHIMNEY INSPECTION. Visually inspect the chimney internally for obstructions and construction damage. Flue pipe joints and seams must be continuous and mechanically tight. In a used chimney, additional inspection is needed for creosote build-up which is the formation of a flammable sediment.



When wood is burned slowly, it produces tar and other organic vapors, which combine with expelled moisture to form creosote. The creosote vapors

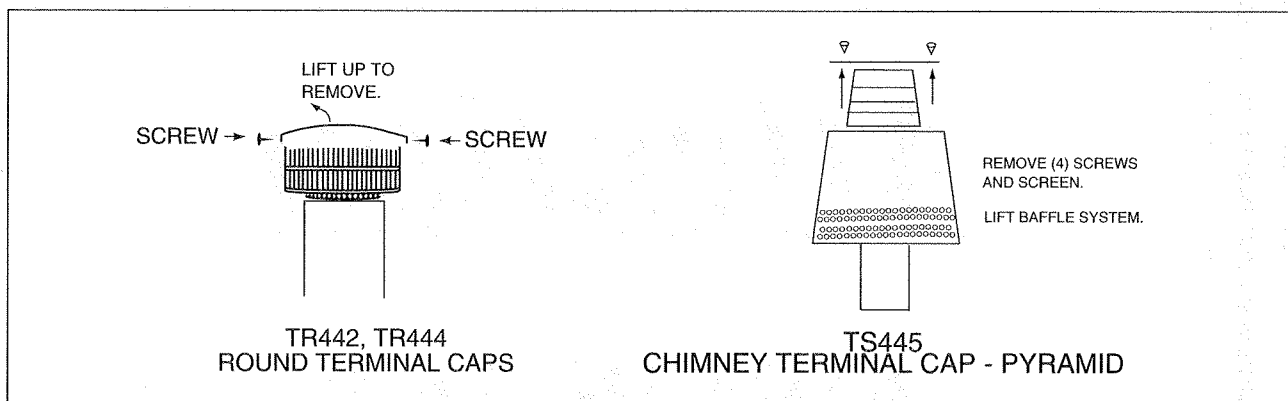


Figure 24
Terminal Caps

WARNING

A CHIMNEY FIRE CAN PERMANENTLY DAMAGE YOUR CHIMNEY SYSTEM. THIS DAMAGE CAN ONLY BE REPAIRED BY REPLACING THE DAMAGED COMPONENT PARTS. CHIMNEY FIRES ARE NOT COVERED BY THE LIMITED WARRANTY AND BUYER PROTECTION PLAN.

CAUTION

WHEN LEFT CLOSED WHILE BURNING YOUR FIREPLACE, FIRE-SCREENS AND GLASS DOORS WILL BE HOT. HANDLE WITH CARE.

CLEAR SPACE NEAR FIREPLACE. The hearth extension must extend at least 20" to the front and 12" to the sides of the firebox opening. Combustible materials must not be stored in this area. Combustible walls perpendicular to the front of the fireplace must be at least 12 inches from the fireplace opening. Room furnishings such as drapes, curtains, chairs, or other combustibles must be at least 4 feet from the open front of the fireplace.

GRATE. The factory installed integral grate must be used to hold the logs from falling out of an open fireplace and to allow air to pass between the burning logs. It is important to keep the fire off the hearth and to allow the ashes to collect beneath the fire, thereby forming a layer of additional heat protection. See Figure 22. Use only model number GR13 integral grate for replacement.

FIRESCREEN. A firescreen is always provided to control sparks. It must be closed whenever the fireplace is in use. Glass doors or firescreens must not be used to hold burning material inside the fireplace. Only those glass door units specifically tested and listed for use with the specific fireplace model should be used. Screens should be closed when the glass doors are closed.

NEGATIVE AIR PRESSURE WITHIN THE STRUCTURE. This fireplace will operate correctly only if adequate ventilation is provided to allow proper draft to the fireplace system. Heatilator assumes no responsibility for the improper performance of the fireplace system caused by inadequate draft due to environmental conditions, down-drafts, tight sealing construction of the structure, or mechanical exhausting devices which create a negative air pressure within the structure where the fireplace is located.

OUTSIDE AIR KIT OPERATION. A damper control handle allows the individual control of the outside air inlets if your fireplace is equipped with this option. Use of outside air for combustion is highly recommended to conserve heated air within the structure and to provide make up air to keep the fireplace venting properly.



Attention

FIREPLACE INSTALLER

***Please return these
Operating & Installation
Instructions to the
Firebox
for Consumer Use***

heatilator®
The first name in fireplaces

Heatilator Inc.
1915 W. Saunders Street
Mt. Pleasant, IA 52641
a HON INDUSTRIES company
319/385-9211 FAX 319/385-9225